



Network

BOX

XNB-6002

Remote Head Cam & Lens modules



Key Features

Key Features

- Max. 2Megapixel (1920 x 1080) resolution
- H.265, H.264, MJPEG codec support, Multiple streaming
- Max. 60fps@2MP (H.265 / H.264)
- extremeWDR (120dB), Defog, DIS, WiseStreamII
- Tampering, Loitering, Directional detection, Fog detection
- Audio detection, Heatmap, Sound classification
- Queue management, Face detection, People counting
- Motion detection, Handover
- Compatible lens: SLA-T1080FA, SLA-T2480A, SLA-T2480VA, SLA-T4680A, SLA-T4680VA

XNB-6002

Remote Head Cam & Lens modules



Specifications

Video	
Resolution	1920x1080, 1280x1024, 1280x960, 1280x720, 1024x768, 800x600, 800x448, 720x576, 720x480, 640x480, 640x360, 320x240
Max. Framerate	H.265/H.264: Max. 60fps/50fps(60Hz/50Hz) MJPEG: Max. 30fps/25fps(60Hz/50Hz)
Video Out	CVBS: 1.0 Vp-p / 75Ω composite, 720x480(N), 720x576(P) for installation USB: Micro USB Type B, 1280x720 for installation
Lens	
Optional Lens	SLA-T1080FA, SLA-T2480A, SLA-T2480VA, SLA-T4680A, SLA-T4680VA
Operational	
Camera Title	Displayed up to 85 characters
Day & Night	Auto(Electrical)
Backlight Compensation	BLC, HLC, WDR, SDDR
Wide Dynamic Range	extremeWDR(120dB)
Digital Noise Reduction	SSNR V , WiseNR
Digital Image Stabilization	Support
Defog	Support
Motion Detection	8ea, 8point Polygonal zones
Privacy Masking	32ea, 4point Quadrangle zones - Color: Gray/Green/Red/Blue/Black/White - Mosaic
Gain Control	Off / Max gain / Manual
White Balance	ATW / NarrowATW / AWC / Manual / Indoor / Outdoor
LDC	Support(Not support for fisheye lens)
Electronic Shutter Speed	Minimum / Maximum / Anti flicker(2~1/12,000sec) Prefer shutter control
Video Rotation	Flip, Mirror, Hallway view(90°/270°)
Analytics	Analytics events - Defocus detection, Motion detection, Tampering, Fog detection, Audio detection, Sound classification, Face detection, Virtual area(Loitering/Intrusion/Enter/Exit/Appear/Disappear), Virtual line(Crossing/Direction)
Business Intelligence	People counting, Queue management, Heatmap
Alarm I/O	Input 1ea / Output 1ea
Alarm Triggers	Analytics, Network disconnect, Alarm input, App event, Time schedule, MQTT subscription
Alarm Events	When alarm trigger occurred - File upload(image): e-mail/FTP/SFTP - File upload(video clip): FTP/SFTP - Notification: e-mail - Recording: SD/SDHC/SDXC or NAS recording at event triggers - Alarm output - Handover: PTZ preset, send message by HTTP/HTTPS/TCP - Audio clip playback - MQTT: publication

Design and specifications are subject to change without notice. The latest product information / specification can be found at HanwhaVision.com.

Hanwha Vision is formerly known as Hanwha Techwin.

Audio In	Selectable(mic in/line in)
Audio Out	Line out
Network	
Ethernet	RJ-45(10/100BASE-T)
Video Compression	H.265/H.264: Main/Baseline/High, MJPEG
Audio Compression	G.711 u-law /G.726 Selectable G.726(ADPCM) 8KHz, G.711 8KHz G.726: 16Kbps, 24Kbps, 32Kbps, 40Kbps AAC-LC: 48Kbps at 16KHz
Smart Codec	Manual(5ea area), WiseStream II
Bitrate Control	H.264/H.265: CBR or VBR MJPEG: VBR
Streaming	Unicast(20 users) / Multicast Multiple streaming(Up to 10 profiles)
Protocol	IPv4, IPv6, TCP/IP, UDP/IP, RTP(UDP), RTP(TCP), RTCP, RTSP, NTP, HTTP, HTTPS, SSL/TLS, DHCP, FTP/SFTP, SMTP, ICMP, IGMP, SNMPv1/v2c/v3(MIB-2), ARP, DNS, DDNS, QoS, UPnP, Bonjour, LLDP, SRTP(TCP, UDP Unicast)
Application Programming Interface	ONVIF Profile S/G/T SUNAPI(HTTP API) Wisenet open platform
Security	
OS / Firmware Protect	Encrypted Firmware, Secure boot, Signed Firmware
User authentication	Digest Authenticaon, Prevent brute-force attacks
Network authentication	IEEE 802.1X(EAP-TLS, EAP-LEAP, EAP-PEAP, MSCHAPv2)
Secure Communication	HTTPS, WSS(WebSocket Secure), SRTP
Access Control	IP-based access control
Data Protect	Encryption Credentials, Encrypt compress for live recording file export
Audit	Access / System / Event Log management
Device ID	Device certificate(Hanwha Vision Root CA)
Secure Storage	TPM, HTPM(Hanwha trusted platform module), SDcard partition encrypt
Security Certificate	TPM with FIPS 140-2 level2
General	
Webpage Language	English, Korean, Chinese, French, Italian, Spanish, German, Japanese, Russian, Portuguese, Czech, Polish, Turkish, Dutch, Hungarian, Greek
Edge Storage	Micro SD/SDHC/SDXC 1slot Max. 1TB
Memory	2GB RAM, 512MB Flash
Environmental & Electrical	
Operating Temperature / Humidity	-10°C~+55°C(+14°F~+131°F) / 0~95% RH(non-condensing)
Storage Temperature / Humidity	-30°C~+60°C(-22°F~+140°F) / 0~90% RH
Input Voltage	PoE(IEEE802.3af, Class3), 12VDC
Power Consumption	PoE: Max 10.5W, typical 6.9W 12VDC: Max 8.6W, typical 5.5W Power redundancy failover
Mechanical	
Color / Material	Black / Plastic, Metal
RAL Code	RAL9005
Product Dimensions / Weight	131.1(W)x33.5(H)x86(D)mm(5.16x1.32x3.39") / 420g(0.93lb)

Design and specifications are subject to change without notice. The latest product information / specification can be found at HanwhaVision.com.

Hanwha Vision is formerly known as Hanwha Techwin.

Certifications & Standards

EMC	FCC 47 CFR 15 Subpart B Class A ICES-3(A)/NMB-3(A) CE/UKCA - EN 55032 Class A, EN 50130-4, EN 61000-3-2, EN 61000-3-3 VCCI CISPR 32 Class A RCM AS/NZS CISPR 32 Class A KS C 9832 Class A , KS C 9835
Safety	UL 62368-1, CAN/CSA C22.2 NO. 62368-1
Environment	IEC/EN 63000

Compatible lenses



Video	SLA-T1080FA	SLA-T2480A	SLA-T2480VA	SLA-T4680A	SLA-T4680VA
Imaging Device	1/2.8" 2MP CMOS	1/2.8" 2MP CMOS	1/2.8" 2MP CMOS	1/2.8" 2MP CMOS	1/2.8" 2MP CMOS
Resolution					
Effective Pixels					
Min. Illumination	Color: 0.03Lux(F1.6, 1/30sec)	Color: 0.045Lux(F2.0, 1/30sec)	Color: 0.045Lux(F2.0, 1/30sec)	Color: 0.06Lux(F2.5, 1/30sec)	Color: 0.06Lux(F2.5, 1/30sec)
Max. Framerate					
NETD					
Pixel Size					
Video Out					
Video Transmission Distance					
Lens	SLA-T1080FA	SLA-T2480A	SLA-T2480VA	SLA-T4680A	SLA-T4680VA
Focal Length (Zoom Ratio)	1.6mm fixed focal	2.4mm fixed focal	2.4mm fixed focal	4.6mm fixed focal	4.6mm fixed focal
Max. Aperture Ratio	F1.6	F2.0	F2.0	F2.5	F2.5
Angular Field of View	H: 187°, V: 113.9°	H: 138°, V: 73°, D: 165°	H: 138°, V: 73°, D: 165°	H: 73°, V: 39°, D: 85°	H: 73°, V: 39°, D: 85°
Lens Type					
Mount Type	RJ12 connected with main unit	RJ12 connected with main unit	RJ12 connected with main unit	RJ12 connected with main unit	RJ12 connected with main unit
Focus Control	fixed	fixed	fixed	fixed	fixed
Min. Object Distance					
Optional Lens					
Pan / Tilt / Rotate	SLA-T1080FA	SLA-T2480A	SLA-T2480VA	SLA-T4680A	SLA-T4680VA
Pan / Tilt / Rotate Range					
Pan Range					
Pan Speed					
Tilt Range					
Tilt Speed					
Rotate Range					
Sequence					
Preset Accuracy					
Operational	SLA-T1080FA	SLA-T2480A	SLA-T2480VA	SLA-T4680A	SLA-T4680VA
Camera Title					
Direction Indicator					
Day & Night					
Backlight Compensation					
Wide Dynamic Range					
Digital Noise Reduction					
Digital Image Stabilization					
Defog					
Motion Detection					
Privacy Masking					
Gain Control					
White Balance					
LDC					
Electronic Shutter Speed					
Digital PTZ					
Video Rotation					
Analytics					
Business Intelligence					
Serial Interface					
Alarm I/O					
Alarm Triggers					
Alarm Events					
Audio Streaming					
Audio In					
Audio Out					
IR Viewable Length					
IR Illuminator (Optional)					

Design and specifications are subject to change without notice. The latest product information / specification can be found at HanwhaVision.com.

Hanwha Vision is formerly known as Hanwha Techwin.

XNB-6002

IR Radiation angle					
IR LED					
IR Wavelength					
IR Operation					
Water Removal					
Auto Tracking					
Coaxial Protocol					
Color Palettes					
Mechanical	SLA-T1080FA	SLA-T2480A	SLA-T2480VA	SLA-T4680A	SLA-T4680VA
Color / Material					
Product dimensions / weight	Ø35xL68.9mm, 430g	Ø24xL49.8mm, 318g	W30xH27.9xD45mm, 328g	Ø24xL49.8mm, 310g	W30xH27.9xD45mm, 321g
RAL Code					
Product Dimensions / Weight					
Compatible Conduit hole / Gangbox					
Hanging Mount (Dome)					
Skin Cover					
Skin Cover (Dome)					
Weather Cap (Dome)					
Power Module					
Backbox					
Radiometry	SLA-T1080FA	SLA-T2480A	SLA-T2480VA	SLA-T4680A	SLA-T4680VA
Temperature Detect Range					
Temperature Accuracy					
Temperature Detection					
Additional					
Network	SLA-T1080FA	SLA-T2480A	SLA-T2480VA	SLA-T4680A	SLA-T4680VA
Ethernet					
Video Compression					
Audio Compression					
Smart Codec					
Video Quality Adjustment					
Bitrate Control					
Streaming					
Protocol					
SIP support (VoIP, Peer-to-peer, SIP/PBX integration)					
Security					
Application Programming Interface					
General	SLA-T1080FA	SLA-T2480A	SLA-T2480VA	SLA-T4680A	SLA-T4680VA
Webpage Language					
Web Viewer					
Edge Storage					
Memory					
Environmental & Electrical	SLA-T1080FA	SLA-T2480A	SLA-T2480VA	SLA-T4680A	SLA-T4680VA
Operating Temperature / Humidity					
Storage Temperature / Humidity					
Certification					
Input Voltage					
Power Consumption					
Certifications & Standards	SLA-T1080FA	SLA-T2480A	SLA-T2480VA	SLA-T4680A	SLA-T4680VA
Network					
EMC					
Safety					
Environment					
Video					
DORI (EN62676-4 standard)	SLA-T1080FA	SLA-T2480A	SLA-T2480VA	SLA-T4680A	SLA-T4680VA
Detect (25PPM/ 8PPF)					
Observe (63PPM/ 19PPF)					
Recognize (125PPM/ 38PPF)					
Identify (250PPM/ 76PPF)					

Design and specifications are subject to change without notice. The latest product information / specification can be found at HanwhaVision.com.

Hanwha Vision is formerly known as Hanwha Techwin.

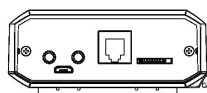
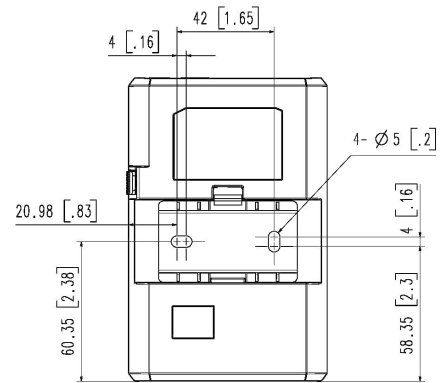
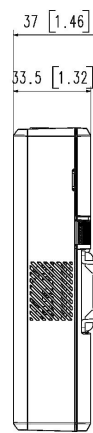
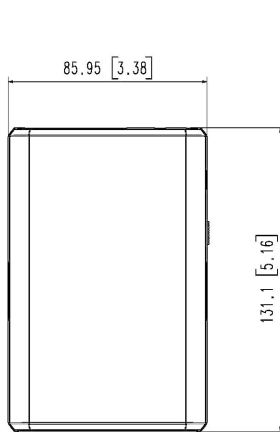
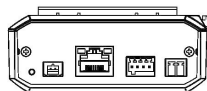
XNB-6002

Remote Head Cam & Lens modules



CAD

Unit:mm [inch]



1	XNB-6002	'22.09.23
No.	MODEL NAME	DATE
Unit:mm[inch] SCALE:1/1		© Hanwha Techwin

© Hanwha Techwin Co.,Ltd. All rights reserved.