

## THREAT DETECTOR FOR CHALLENGING ENVIRONMENTS

Detects CWAs, TICs, explosives,  
precursors, narcotics and taggants

Designed for challenging  
environments: extreme temperature,  
dust, moisture, salt fog, and rain

Physical shock and vibration resistant

Tested to MIL-STD-810-G and IP54 rated

100% Buy American Act compliant



HARDENED MOBILETRACE<sup>®</sup> IS BUILT AROUND A CORE OF FIELD-PROVEN EXPLOSIVES AND NARCOTICS DETECTION TECHNOLOGIES, AND DESIGNED FOR THE CHALLENGING ENVIRONMENTS IN WHICH YOU WORK. IT HAS BEEN TESTED TO MILITARY AND GOVERNMENT STANDARDS AND HAS EXPANDED CAPABILITIES FOR DETECTING CHEMICAL WARFARE AGENTS (CWAs) AND TOXIC INDUSTRIAL CHEMICALS (TICs).

We know your missions are different every time and the environments you encounter are tough and unpredictable. Hardened MobileTrace<sup>®</sup> can help you enhance the safety and success of your mission by screening for explosives, narcotics and other threats, that might otherwise go undetected.

Hardened MobileTrace<sup>®</sup> was designed to make advanced detection technology easy to use in the field. It is a highly portable and lightweight unit equipped with a daylight-readable touch screen for clear and immediate viewing in all lighting conditions. Users who are familiar with other Rapiscan<sup>®</sup> Systems products will recognize the straightforward software and instructions found common in the user interface across many of Rapiscan<sup>®</sup> Systems trace detectors.

### DESIGNED FOR CHALLENGING ENVIRONMENTS

Ports and Border.

Military.

Law Enforcement.

### RUGGEDIZED

Tested to MIL-STD-810-G.

IP54 Rated.

Temperatures range: -20°C to 55°C (-4°F to 131°F).

Humidity range: 0-95% RH non-condensing.

Salt fog resistant.

Drop and vibration tested.

### PORTABLE

Lightweight.

Two batteries for up to six hours of operation.

Internal back up batteries for "hot swap" ability.

### EXPANDED SUBSTANCE DETECTION

Tested and verified at government and third-party labs.

CWAs library: blood, blister, nerve.

TICs library: chlorides, cyanides, acids and ammonias.

### EASY TO USE

Daylight readable touch screen (800 NIT).

Simple user interface and intuitive menus.

E-mail, and field service engineer technical support and troubleshooting 24/7.

Ergonomically designed for PPE operation.

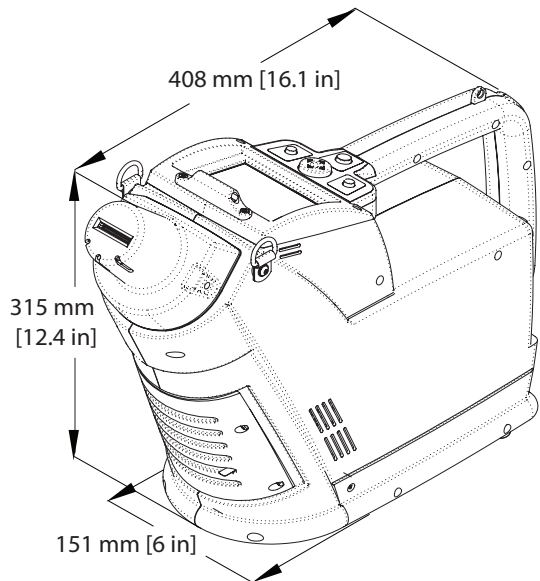
### ACCURATE

False alarm rates <2%.

Results verified at third-party laboratories.

# HARDENED MOBILETRACE®

**Rapiscan®**  
systems  
An OSI Systems Company



## PHYSICAL SPECIFICATIONS

Dimensions:	Length: 438 mm (17.3 in.) Width: 159 mm (6.3 in.) Height: 324 mm (12.8 in.)
Weight (Approx.):	Net: 5.4 Kg (12 lbs) with battery

## TECHNICAL SPECIFICATIONS

Detector Type:	Ion Trap Mobility Spectrometer (ITMS™); Nickel 63, 10 millicurie (370 MBq) strength
Analysis Time:	Less than 12 seconds
Sample Acquisition:	Particle swipe or vapor sampling
Warmup Time (Cold Start):	24 hours/ 30 minutes
Operating Temperature:	-20 to 55°C (-4 to 131°F)
Power:	115/230 VAC, 50/60 Hz External AC to DC power supply, DC vehicle power adapter, and main battery
Computer:	Windows® CE 5.0, 1 GB compact flash disk
Display:	3.5 in. (8.9 cm); color LCD, 800 NIT
Detection Modes:	Explosives, narcotics, TICs, CWAs
Environmental:	IP54, MIL-STD-810-G: resistant to blowing dust, rain, salt fog, vibration, physical shock

With continual development of our products Rapiscan® Systems reserves the right to amend specifications without notice. Product pictures are for general reference. Please note that due to US laws and regulations, not all Rapiscan® products are available for sale in all countries without restriction. Please contact your Rapiscan® Systems sales representative for more information.



Rapiscan® Systems is ISO 9001:2008 Certified

## AMERICAS, CARIBBEAN

2805 Columbia Street  
Torrance,  
California  
90503  
UNITED STATES of AMERICA  
Tel: +1 310-978-1457  
Fax: +1 310-349-2491

## EUROPE, MIDDLE EAST, AFRICA

X-Ray House  
Bonehurst Road  
Salfords  
Surrey RH1 5GG  
UNITED KINGDOM  
Tel: +44 (0) 870-7774301  
Fax: +44 (0) 870-7774302

## ASIA

240 Macpherson Road  
#07-01 Pines Industrial Building  
Singapore  
348574  
SINGAPORE  
Tel: +65-6846-3511  
Fax: +65-6743-9915

[sales@rapiscansystems.com](mailto:sales@rapiscansystems.com)  
[www.rapiscansystems.com](http://www.rapiscansystems.com)