

RAPISCAN 620XR hp MOBILE

High Performance



baggage & parcel

*inspection
technology*



Tunnel Opening (width x height):
24.74 x 16.5 in (620 x 420)

The Rapiscan **620XR hp Mobile** is a mobile X-ray screening system with a 620MM wide by 420MM high tunnel opening with large shock absorbing pneumatic wheels for easy transportability.

Based on an established legacy of innovation, quality and reliability, the 620XR hp Mobile provides an array of technologies designed to assist the operator in threat detection as well as improve throughput and operations for checkpoint security screening applications. The 620XR hp Mobile is designed for rapid relocation and can be wheeled through narrow doorways, making it an excellent system for cruise lines, schools, prisons, and event-based security environments.

The Rapiscan 620XR hp Mobile complies with all European Commission Aviation Security Screening requirements and French Civil Aviation Authority (STAC).

Detection of Explosives and Narcotics Alert

Target™ and NARCSan™ are designed to assist operators in the detection of a range of explosives and narcotics respectively in real time during the scanning process by marking a potential threat on the X-ray image. Rapiscan detection algorithms are based on regulatory material analysis techniques.

Government Regulatory Compliance

Rapiscan 620XR hp performance is in full compliance with the mandatory regulations (EC) No. 300/2008, (EU) No. 185/2010 and Commissions Decision C(2010)774 for aviation security in the European Union.

Ease of use Providing Highest Throughput

With over 14 image processing tools and detection alert algorithms functions, the feature- rich software allows the operator to more easily and accurately search for contraband.

SINERGY™

Rapiscan's latest proprietary image enhancement tool, utilizes the new innovative Dual-Mode X-ray imaging Technique (DMxT) to emphasize the detail in specific regions of images by enhancing the visibility of thin metal therefore increasing operator recognition of potential threats in cluttered images.

Standard Features

- Multi Energy Imaging (4 Color)
- View Previous/Next Bag
- Image Archive
- Configurable Image Processing Keys
- Baggage Counter
- Date / Time Display
- Search Indicator
- UPS (Uninterrupted Power Supply)
- Flat Panel Monitor
- Multi Language Support

Standard Image Processing Functions

- Crystal Clear™
- SINERGY™
- Black and White
- Organic / Inorganic Stripping
- Inverse Video
- High Penetration
- Low Penetration
- Pseudo Color
- Variable Edge Enhancement
- Variable Color Stripping
- Variable Gamma
- Variable Density
- Dynamic Continuous Zoom & Panning
- Fixed Zoom (64x)

RAPISCAN 620XR hp MOBILE

Physical Specifications

Dimensions:	Length: 82.0 in. (2,082 mm) Width: 33.1 in. (840 mm) Height: 54.4 in. (1,382 mm)
Tunnel Size:	24.4 (W) x 16.5 in. (H) (620 mm x 420 mm)
Conveyor Speed:	0.20 m/sec (39.4 ft./min)
Conveyor Load:	364 lbs (165 Kg) evenly distributed
Conveyor Height:	31.6 in. (803 mm)
Approx Weight:	Net: 1,071 lbs (486 Kg)
System Power:	100/110/120//208/220/230/240 VAC \pm 10%,

X-Ray Generator and Image Performance*

Steel Penetration:	44 mm typical, 42 mm standard
Wire Resolution:	44 AWG typical, 42 AWG standard
Spatial Resolution:	0.8 mm vertical/0.8 mm horizontal
Cooling:	Sealed oil bath with forced air
Anode Voltage:	160KV
Orientation:	Diagonally Upward

Operating Environment

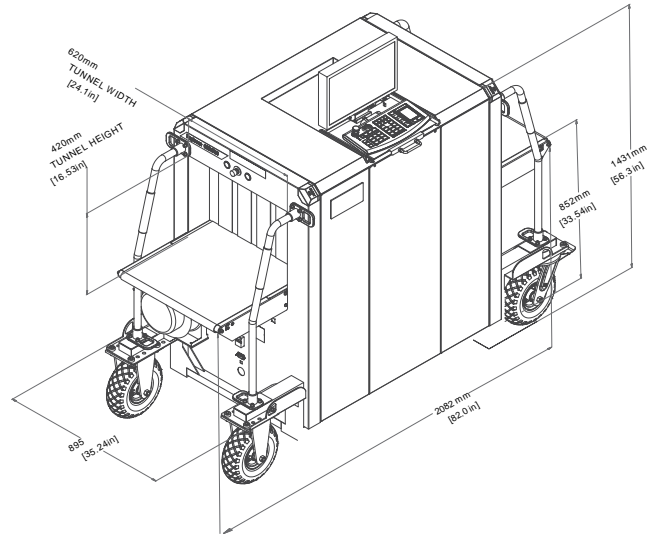
Storage Temperature:	-4° to 122°F (-20° to 50°C)
Operating Temperature:	32° to 104°F (0° to 40°C)
Relative Humidity:	5 to 95% non-condensing

Protection Class

System	IP20
Operator Control Panel	IP43 ²

Government Regulatory

- Regulation (EC) No. 300/2008 Compliant
- Regulation (EU) No. 185/2010 Compliant
- EU Commissions Decision C(2010)774 Compliant



Health and Safety

Rapiscan Systems' cabinet X-ray products comply with all applicable U.S. FDA and equivalent international regulatory agency requirements, contained in the cabinet X-ray radiation safety performance standard [21 CFR 1020.40] and the general performance standard [21 CFR Part 1010] as well as IEC standard 61010-2-091. Rapiscan baggage and parcel inspection systems radiation emission leakages are well below the required regulatory limits with less than 1 μ Sv/hr at 10 cm from all surfaces of cabinet X-ray.

Software

- OS600
- 64 Bit Operating System

Options and Accessories

- Explosives Detection Alert (Target™)
- Narcotics Detection Alert (NARCScan™)
- Density Threshold Alert (DTA)
- Threat Image Projection (TIP)
- Threat Image Projection Network (TIPNet)
- Remote Image Archive Review (NETView™)
- Multi-System Network Display Station (NDS)
- Automatic Image Archiving
- Enhanced Image Archiving
- Operator Training Program (OTP)
- Manual Scan
- Operator Pedestal
- Foot-mat
- Optical Operator Presence Sensor
- SmartCard Login
- Power Conditioner
- Conveyor Accessories
- Remote Workstation
- Universal Printer Support
- Operator Control Panel
- Bracket Mount Dual Monitor Kit
- Extended Smart UPS

