



Network

Bullet

QNO-7082R

4MP IR Bullet Camera



Key Features

- Max. 4MP resolution
- Color : 0.1Lux (F1.6, 1/30sec), B/W : 0Lux (IR LED On)
- 3.2 ~ 10mm (3.1x) motorized varifocal
- IR viewable length: 30m (98.42ft)
- Day&Night (ICR), WDR (120dB)
- H.265, H.264, MJPEG, Multiple streaming supported
- Motion detection, Tampering, Defocus detection
- Hallway view (90°/270°), LDC support
- Micro SD/SDHC/SDXC memory slot (Max. 128GB)
- IP66, IK10

Compatible Accessories (Optional)



SBP-302PM



SBO-100B1

QNO-7082R

4MP IR Bullet Camera



Specifications

Video

Imaging Device	1/3" CMOS
Resolution	2560x1440, 1920x1080, 1280x960, 1280x720, 800x600, 800x448, 720x576, 720x480, 640x480, 640x360, 320x240
Max. Framerate	H.265/H.264: Max. 30fps/25fps(60Hz/50Hz) MJPEG: Max. 15fps (@4MP Max. 2fps)
Min. Illumination	Color : 0.1Lux (F1.6, 1/30sec) B/W : 0Lux (IR LED On)
Video Out	CVBS: 1.0 Vp-p / 75Ω composite, 720x480(N), 720x576(P) for installation

Lens

Focal Length (Zoom Ratio)	3.2~10mm(3.1x) motorized varifocal
Max. Aperture Ratio	F1.6(Wide) ~ F2.9(Tele)
Angular Field of View	H: 99°(Wide) ~ 30°(Tele), V: 53°(Wide) ~ 17°(Tele), D: 116°(Wide) ~ 35°(Tele)
Focus Control	Simple focus
Lens Type	DC auto iris

Pan / Tilt / Rotate

Pan / Tilt / Rotate Range	0°~360° / 0°~100° / 0°~360°
---------------------------	-----------------------------

Operational

Camera Title	Displayed up to 85 characters
Day & Night	Auto(ICR)
Backlight Compensation	BLC, WDR, SSSDR
Wide Dynamic Range	120dB
Digital Noise Reduction	SSNR
Motion Detection	4ea, polygonal zones
Privacy Masking	6ea, rectangular zones
Gain Control	Low / Middle / High
White Balance	ATW / AWC / Manual / Indoor / Outdoor
LDC	Support
Electronic Shutter Speed	Minimum/Maximum/Anti flicker (1/5~1/12,000sec)
Video Rotation	Flip, Mirror, Hallway view(90°/270°)
Analytics	Motion detection, Tampering, Defocus detection , Virtual area(Intrusion/Enter/Exit), Virtual line(Crossing/Direction)
Alarm I/O	Input 1ea / Output 1ea
Alarm Triggers	Analytics, Network disconnect, Alarm input

QNO-7082R

Alarm Events	File upload via FTP and e-mail Notification via e-mail SD/SDHC/SDXC or NAS recording at event triggers Alarm output Handover(PTZ preset)
Audio In	Selectable(mic in/line in)
Light Type	IR LED (850nm)
Light Viewable Length	30m(98.42ft)

Network

Ethernet	RJ-45 (10/100BASE-T)
Video Compression	H.265/H.264 : Main/High, MJPEG
Audio Compression	G.711 u-law /G.726 Selectable G.726(ADPCM) 8KHz, G.711 8KHz G.726: 16Kbps, 24Kbps, 32Kbps, 40Kbps
Smart Codec	Manual (5ea area), WiseStream II
Bitrate Control	H.264/H.265: CBR or VBR MJPEG: VBR
Streaming	Unicast(6 users) / Multicast Multiple streaming(Up to 3 profiles)
Protocol	IPv4, IPv6, TCP/IP, UDP/IP, RTP(UDP), RTP(TCP), RTCP, RTSP, NTP, HTTP, HTTPS, SSL/TLS, DHCP, PPPoE, FTP, SMTP, ICMP, IGMP, SNMPv1/v2c/v3(MIB-2), ARP, DNS, DDNS, QoS, PIM-SM, UPnP, Bonjour, LLDP
Application Programming Interface	ONVIF Profile S/G/T, SUNAPI (HTTP API)

Security

OS / Firmware Protect	Firmware encryption
User authentication	Digest Authentication, Prevent brute-force attack
Network authentication	802.1X Authentication(EAP-TLS, EAP-LEAP, EAP-PEAP MSCHAPv2)
Secure Communication	HTTPS, SRTP, WSS(Websocket secure)
Access Control	Access control based on IP address
Data Protect	Authentication information encryption, ZIP compression encryption
Audit	User Access/System/Event log management
Device ID	Device Certificate(Hanwha Private Root CA)
Secure Storage	SDcard partition encrypt

General

Webpage Language	English, Korean, Chinese, French, Italian, Spanish, German, Japanese, Russian, Portuguese, Czech, Polish, Turkish, Dutch, Hungarian, Greek
Edge Storage	Micro SD/SDHC/SDXC 1slot 128GB
Memory	512MB RAM, 256MB Flash

Environmental & Electrical

Operating Temperature / Humidity	-40°C~+55°C (-40°F ~ +131°F) / 0~95% RH * Start up should be done at -30°C or above
Storage Temperature / Humidity	-40°C~+60°C (-40°F~+140°F) / 0~95% RH
Certification	IP66, IK10
Input Voltage	PoE(IEEE802.3af, Class3), 12VDC
Power Consumption	PoE: Max 11.4W, typical 8W 12VDC: Max 9.6W, typical 7W

Mechanical

Color / Material	Dark grey / Aluminum
------------------	----------------------

Design and specifications are subject to change without notice. The latest product information / specification can be found at HanwhaVision.com.

Hanwha Vision is formerly known as Hanwha Techwin.

QNO-7082R

Product Dimensions / Weight	ø78.0x259.8mm(ø3.07x10.23"), 900g(1.98 lb)
-----------------------------	--

Compatible Conduit hole / Gangbox	3/4"(M25) Single, Double, 4"Octagon
-----------------------------------	--

Backbox	SBO-100B1, SBO-147B
---------	---------------------

DORI (EN62676-4 standard)

Detect (25PPM/ 8PPF)	Wide: 27m(89.86ft) / Tele: 129m(422.61ft)
----------------------	---

Observe (63PPM/ 19PPF)	Wide: 11m(35.95ft) / Tele: 52m(169.04ft)
------------------------	--

Recognize (125PPM/ 38PPF)	Wide: 6m(17.97ft) / Tele: 26m(84.52ft)
---------------------------	--

Identify (250PPM/ 76PPF)	Wide: 3m(8.99ft) / Tele: 13m(42.26ft)
--------------------------	---------------------------------------

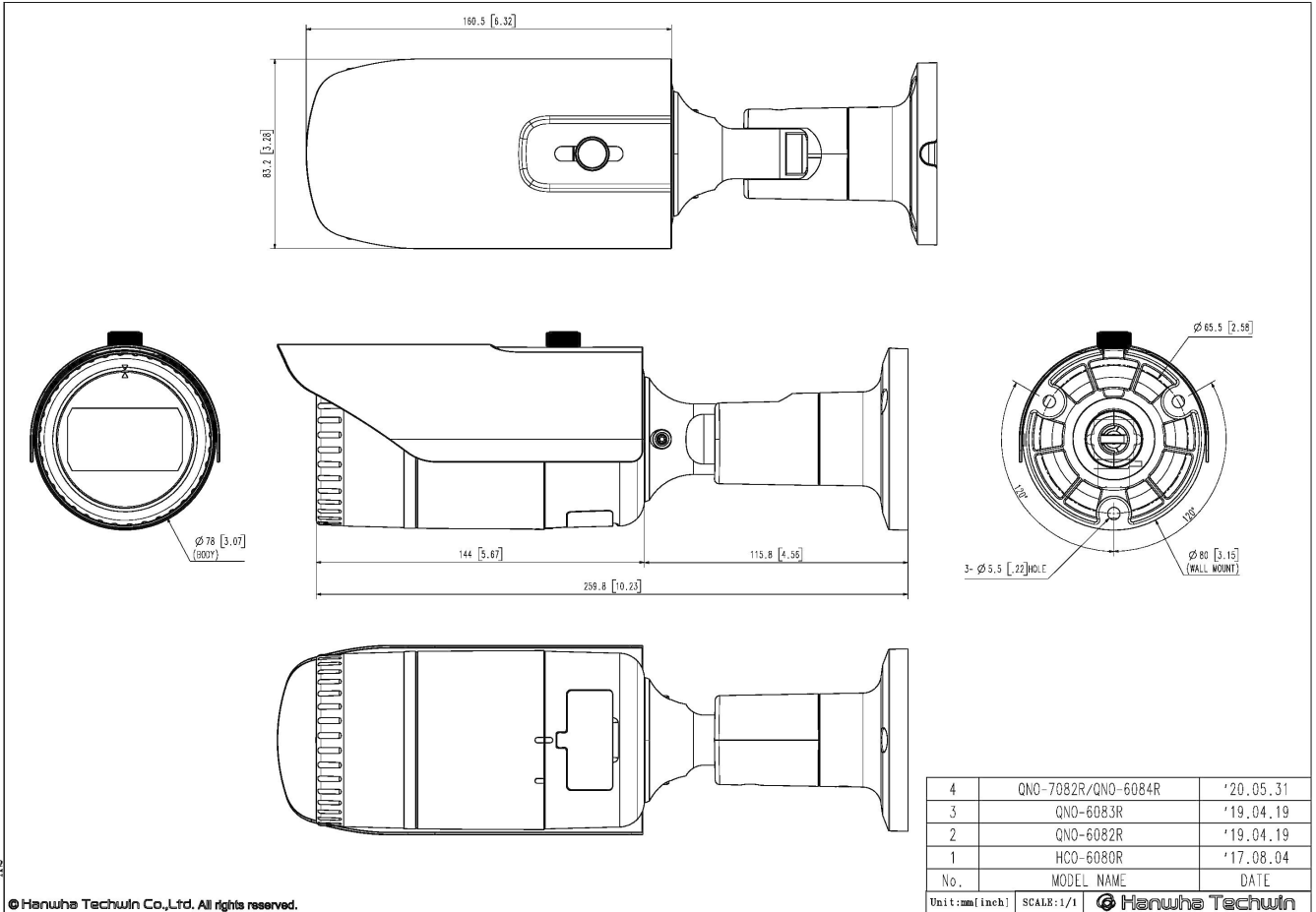
QNO-7082R

4MP IR Bullet Camera



CAD

Unit:mm [inch]



A2

© Hanwha Techwin Co.,Ltd. All rights reserved.