



Network

Dome

TNV-7011RC

3MP Corner Mount Camera



Key Features

- Maximum 3MP (2048 x 1536) resolution
- Maximum 30fps @ all resolutions (H.265/H.264/MJPEG)
- 0.3 lux @ F2.0 (Color), 0 lux @ F2.0 (B/W)
- Built-in 2.8mm fixed lens
- Anti-ligature design for corrections and behavioral health facilities
- Day & Night, WDR (120dB)
- Video & audio analytics, Shock detection
- microSD/SDHC/SDXC memory slot (256GB)
- Hallway view, WiseStream II support
- PoE, DC 12V, IK10+

TNV-7011RC

3MP Corner Mount Camera



Specifications

Video	
Imaging Device	1/2.8" CMOS
Resolution	2048x1536, 1920x1080, 1600x1200, 1280x1024, 1280x960, 1280x720, 1024x768, 800x600, 800x448, 720x576, 720x480, 640x480, 640x360, 320x240
Max. Framerate	H.265/H.264/MJPEG: Max. 30fps at all resolutions
Min. Illumination	Color: 0.3 lux (F2.0, 1/30sec) B/W: 0 lux (F2.0, 1/30sec)
Video Out	CVBS: 1.0 Vp-p / 75Ω composite, 720x480(N), 720x576(P) for installation
Lens	
Focal Length (Zoom Ratio)	2.8mm fixed focal
Max. Aperture Ratio	F2.0
Angular Field of View	H: 102° / V: 75° / D: 129°
Min. Object Distance	0.4m(1.31ft)
Focus Control	Manual
Pan / Tilt / Rotate	
Pan / Tilt / Rotate Range	- / 30°~60° / -
Operational	
Camera Title	Displayed up to 85 characters
Day & Night	Auto(ICR)
Backlight Compensation	BLC, HLC, WDR, SSSDR
Wide Dynamic Range	120dB
Digital Noise Reduction	SSNR V
Digital Image Stabilization	Support
Defog	Support
Motion Detection	8ea, 8point polygonal zones
Privacy Masking	32ea, polygonal zones - Color: Grey/Green/Red/Blue/Black/White - Mosaic
Gain Control	Low / Middle / High
White Balance	ATW / AWC / Manual / Indoor / Outdoor
LDC	Support
Electronic Shutter Speed	Minimum / Maximum / Anti flicker (2~1/12,000sec)
Video Rotation	Flip, Mirror, Hallway view(90°/270°)
Analytics	Tampering, Loitering, Directional detection, Defocus detection, Fog detection, Virtual line, Enter/Exit, Appear/Disappear, Audio detection, Face detection, Motion detection, Digital auto tracking, Sound classification, Shock detection
Alarm I/O	Input 1ea / Output 1ea

Design and specifications are subject to change without notice. The latest product information / specification can be found at HanwhaVision.com.

Hanwha Vision is formerly known as Hanwha Techwin.

Alarm Triggers	Analytics, Network disconnect, Alarm input, Motion detection
Alarm Events	File upload via FTP and e-mail Notification via e-mail SD/SDHC/SDXC or NAS recording at event triggers Alarm output DPTZ preset
Audio In	Selectable(mic in/line in/built-in MIC) Supply voltage: 2.5VDC(4mA), Input impedance: 2K Ohm
Audio Out	Line out, Max.output level: 1Vrms
IR Viewable Length	10m(32.8ft)
IR Wavelength	940nm

Network

Ethernet	RJ-45(10/100BASE-T)
Video Compression	H.265/H.264: Main/Baseline/High, MJPEG
Audio Compression	G.711 u-law / G.726 Selectable G.726(ADPCM) 8KHz, G.711 8KHz G.726: 16Kbps, 24Kbps, 32Kbps, 40Kbps AAC-LC: 48Kbps at 8/16/32/48KHz
Smart Codec	Manual(5ea area), WiseStream II
Bitrate Control	H.264/H.265: CBR or VBR MJPEG: VBR
Streaming	Unicast(20 users) / Multicast Multiple streaming(Up to 10 profiles)
Protocol	IPv4, IPv6, TCP/IP, UDP/IP, RTP(UDP), RTP(TCP), RTCP, RTSP, NTP, HTTP, HTTPS, SSL/TLS, DHCP, PPPoE, FTP, SMTP, ICMP, IGMP, SNMPv1/v2c/v3(MIB-2), ARP, DNS, DDNS, QoS, PIM-SM, UPnP, Bonjour, SRTSP
Security	HTTPS(SSL) Login Authentication Digest Login Authentication IP Address Filtering User access log 802.1X Authentication(EAP-TLS, EAP-LEAP)
Application Programming Interface	ONVIF Profile S/G/T SUNAPI(HTTP API) Wisenet open platform

General

Webpage Language	English, Korean, Chinese, French, Italian, Spanish, German, Japanese, Russian, Portuguese, Czech, Polish, Turkish, Dutch, Hungarian, Greek
Edge Storage	Micro SD/SDHC/SDXC 1slot 256GB

Environmental & Electrical

Operating Temperature / Humidity	-10°C~+55°C(+14°F~+131°F) / Less than 90% RH
Storage Temperature / Humidity	-50°C~+60°C(-58°F~+140°F) / Less than 90% RH
Certification	IP66, IP6K9K, IK10+
Input Voltage	PoE(IEEE802.3af, Class2), 12VDC
Power Consumption	PoE: Max 12W, typical 10.1W, 12VDC: Max. 11W, typical 8.6W

Mechanical

Color / Material	White / Aluminium
RAL Code	RAL9003
Product Dimensions / Weight	Ø295.5x113.5mm(11.6x4.47") / 2.1kg (4.63lb)

DORI (EN62676-4 standard)

Detect (25PPM/ 8PPF)	33.2m(108.82ft)
----------------------	-----------------

Design and specifications are subject to change without notice. The latest product information / specification can be found at HanwhaVision.com.

Hanwha Vision is formerly known as Hanwha Techwin.

TNV-7011RC

Observe (63PPM/ 19PPF)	13.3m(43.53ft)
Recognize (125PPM/ 38PPF)	6.6m(21.76ft)
Identify (250PPM/ 76PPF)	3.3m(10.88ft)

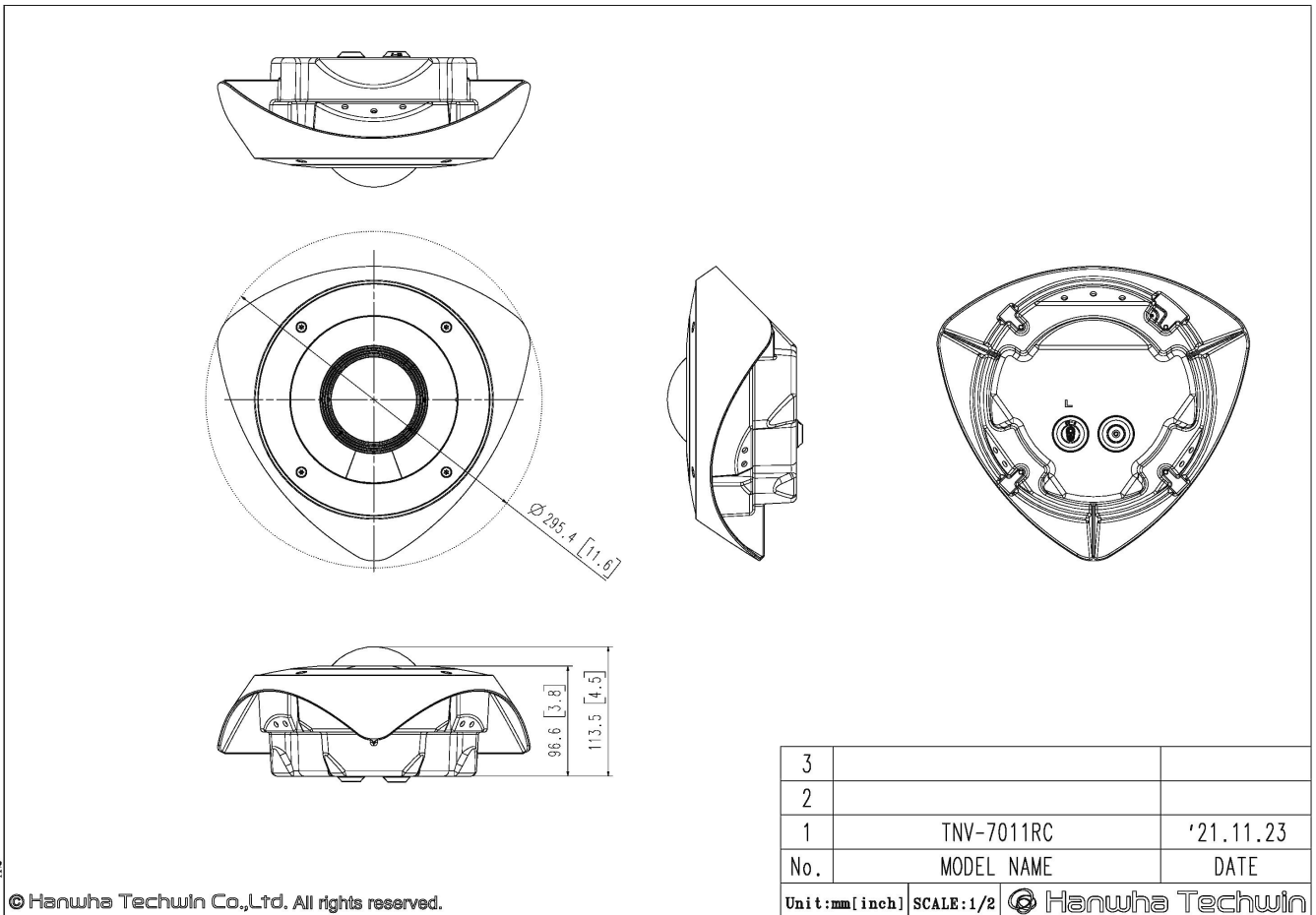
TNV-7011RC

3MP Corner Mount Camera



CAD

Unit:mm [inch]



© Hanwha Techwin Co.,Ltd. All rights reserved.